

Technical data sheet

Product features



Cooking range solid top gas with gas oven

Model	SAP Code	00020537
--------------	-----------------	----------



- Device type: Gas unit
- Ignition: Piezo + Eternal Flame
- Type of internal part of the appliance 1 (eg oven): Gas
- Type of internal part of the appliance 2 (eg oven): Static
- Material: AISI 304 top plate and cladding

SAP Code	00020537	Power gas [kW]	42.100
Net Width [mm]	1200	Type of gas	Natural gas, propane butane
Net Depth [mm]	730	Type of internal part of the appliance 1 (eg oven)	Gas
Net Height [mm]	900	Type of internal part of the appliance 2 (eg oven)	Static
Net Weight [kg]	160.00	Solid top dimensions [mm x mm]	370 x 545

Technical data sheet

Technical drawing

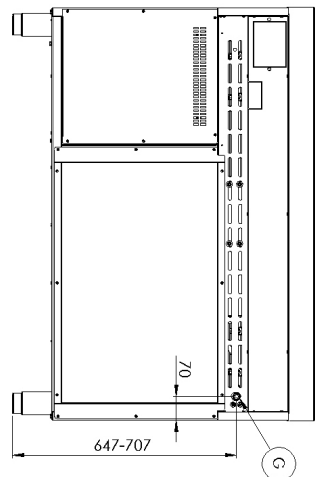
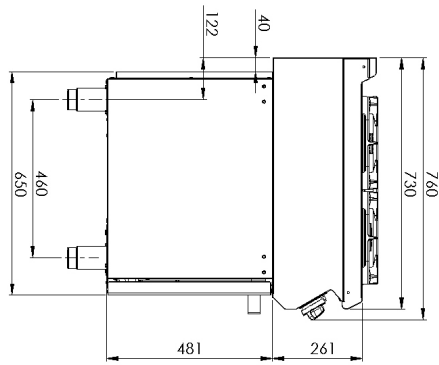
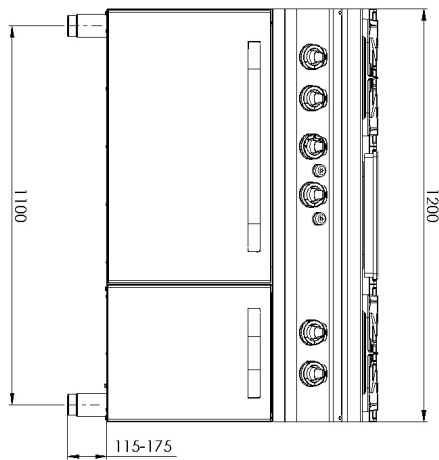


Cooking range solid top gas with gas oven

Model

SAP Code

00020537



Technical data sheet

Technical parameters



Cooking range solid top gas with gas oven

Model

SAP Code

00020537

1. SAP Code:

00020537

2. Net Width [mm]:

1200

3. Net Depth [mm]:

730

4. Net Height [mm]:

900

5. Net Weight [kg]:

160.00

6. Gross Width [mm]:

1240

7. Gross depth [mm]:

800

8. Gross Height [mm]:

1065

9. Gross Weight [kg]:

177.00

10. Device type:

Gas unit

11. Construction type of device:

Stationary

12. Power gas [kW]:

42.100

13. Ignition:

Piezo + Eternal Flame

14. Type of gas:

Natural gas, propane butane

15. Device color:

Stainless steel

16. Material:

AISI 304 top plate and cladding

17. Worktop type:

Molded - comfortable cleaning maintenance

18. Worktop material:

AISI 304

19. Worktop Thickness [mm]:

1.50

20. Grid material:

Cast iron

21. Service accessibility:

Trough the frontal panel

22. Safety thermocouple:

Yes

23. Adjustable feet:

Yes

24. Number of burners/hot plates:

5

25. Type of gas cooking zones:

Fire protection to install + Classic burners

26. Burner type:

Brass, detachable

27. Oven Type:

gas static

28. Oven power gas [kW]:

6.00

Technical data sheet

Technical parameters



Cooking range solid top gas with gas oven

Model

SAP Code

00020537

29. Oven size:

GN 2/1

33. Solid top thickness [mm]:

30

30. Type of internal part of the appliance 1 (eg oven):

Gas

34. Solid top dimensions [mm x mm]:

370 x 545

31. Type of internal part of the appliance 2 (eg oven):

Static

35. Solid top ignition:

Piezo + Eternal Flame

32. Gasket:

Yes